

(2b) Scanning Mode: Long press of mode switch for 3 seconds to change the scanning mode to (Sur: surface mode, bod: body mode, Cou: counting mode)



Fig. 11



Fig. 12

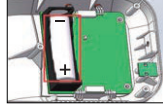


Fig. 13

3. Install and replace battery

(3a) Remove three screws

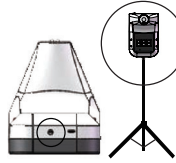
(3b) Open the back base and install 18650 Li battery



4. Install method



1.Nail hook



2.Bracket fixing



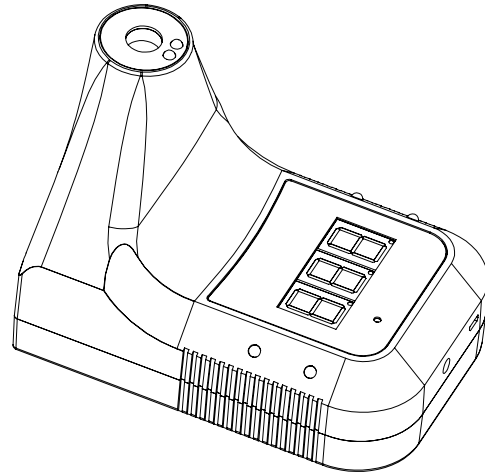
3.Double-sided adhesive sticking

5. Warnings

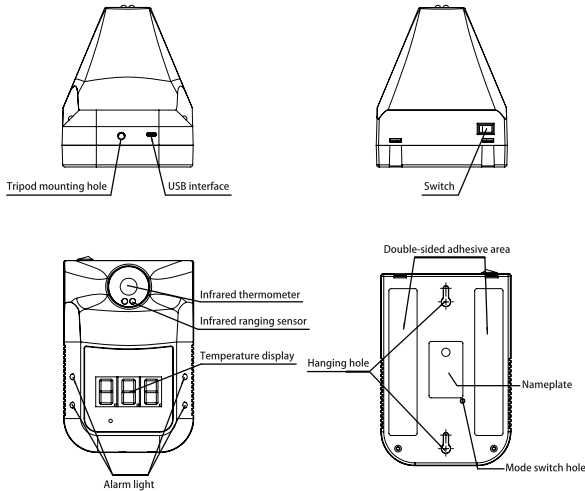
- 1.It is the user's responsibility to ensure the electromagnetic compatibility environment of the device so that the device can work normally.
- 2.It is recommended to evaluate the electromagnetic environment before using the device.
- 3.When changing the operating environment, the device must be left to stand for more than 30 minutes.
- 4.Please measure the forehead to the thermometer.
- 5.It is not recommended to use it outdoors or under strong light.
- 6.Keep away from air conditioners, fans, etc.
- 7.Please use qualified, safety-certified batteries, unqualified batteries or non-rechargeable batteries used may cause fire or explosion.
- 8.If it cannot work after install the battery, please insert the charging cable to charge it and it can be used normally.



Infrared Thermometer User Guide



1.Introduction



2.Specification

1. Accuracy: ± 1.0 93.2 ~ 113°F / ± 0.5 34~45°C
place it in the operating environment for 30 minutes before use.
2. Abnormal automatic alarm: flashing + "Di Di" sound
3. Automatic measurement: measuring distance 2.0 ~ 3.9 / 5cm ~ 10cm
4. Screen: Digital display
5. Power: DC 5V with included USB wall charger.
6. Install method: nail hook, double-sided adhesive sticking, bracket fixing
7. Environment temperature: 50~104°F / 10~40°C (recommended... 59~95°F / 15~35°C)
8. Infrared measuring range: 32~122°F / 0~5°C
9. Response time: 0.5s
10. Battery: Use only recommended (18650 Li-ion) rechargeable battery. Battery not included.
11. Weight: 12.4oz / 350g
12. Dimensions: 6.7 x 4.3 x 5.5 inch / 170 x 115 x 140mm
13. Standby: About one week
14. Counting capacity: 999

3.Status Description

1. Standby: The red dot in the bottom of the display lights up in turn. (Fig. 1)
2. Insufficient power: The horizontal bar lights up in the middle of the display. (Fig. 2)
3. Normal temperature: Flashing green lights and alarm 'Di'. (Fig. 3)



Fig. 1



Fig. 2



Fig. 3

4. Abnormal temperature: Flashing red lights and alarm 'Di Di'. (Fig. 4)
5. Default (bod:object mode) :
'Lo': Ultra-low temperature alarm. (Fig.5)
'HI': Ultra-high temperature alarm.(Fig. 6)



Fig. 4



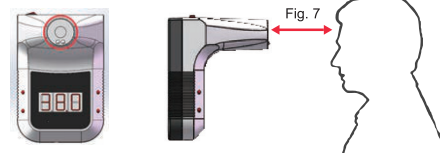
Fig. 5



Fig. 6

4.Operation Instruction

1. Temperature measurement: Stand in front of the IR thermometer within a distance of 2.0 ~ 3.9 inch / 5cm ~ 10cm (Fig. 7).



2. Mode Switch: There is a small hole on the back of the device (Fig. 8).
(2a) Temp Scale: Use a paper clip to insert in hole and press mode switch to select C: Celsius or F: Fahrenheit (Fig.9, 10)



Fig. 8



Fig. 9



Fig. 10